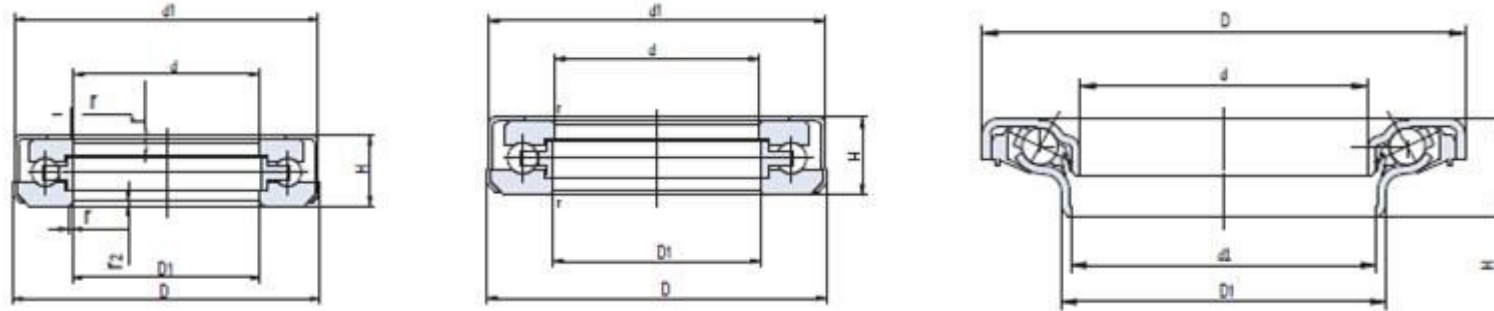


# 带外罩推力球轴承

## Thrust Ball Bearing with Outer Housing



基本尺寸Boundary Dimensions				基本额定载荷Basic Load Ratings Dynamic Static		极限转速Limiting Speeds		轴承代号 Bearing Designations	其它尺寸Other Designations		重量Weight
d	D	H	rmin	Cr	Cor	脂润滑 Grease lubrication	油润滑Oil lubrication		d1	D1	
25.1	49	16	0.6	16	42	4000	5300	51205ZSV		25.3	0.13
30	53	15.8	0.6	17	38	3600	4800	51206ZSV		30.4	0.139
32.1	60.5	18	0.6	24.5	67	3000	4200	517/32-2ZSV	58	32.5	0.211
35.1	65.9	19.7	0.6	32.7	89.4	2800	3800	51207-2ZSV	64	35.6	0.206
50	81	23	1	59	105	2400	3400	51710ZSV/YA		50.2	0.415
52.388	84.5	20.7	1.1	21.8	46.5	2200	3200	517/52X4ZS	83.5	52.8	0.366
52.388	84.5	20.7	1.1	21.8	46.5	2200	3200	517/52X4ZS/YA8	83.5	52.8	0.372

52.388	84.5	20.7	1.1	21.8	46.5	2200	3200	517/52X4ZSD	83.5	52.8	0.372
54.23	90.2	20.2	1.5	23.2	66	1900	2800	517/54X4ZST N1	88.9	54.8	0.402
69.84	114.3	22.1	1.5	42	96	1700	2500	517/69X4ZST N1	112.8	70.6	0.642
80	145	45	1.5	147	335	1200	1700	51316ZSV		82	2.83
86.6	137	12	3.5	20.7	95	850	1600	517/86.6ZSV /RT6	86.6	137	0.145