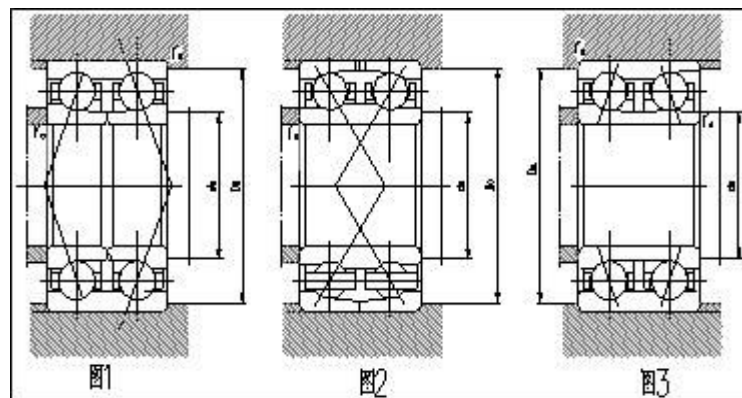
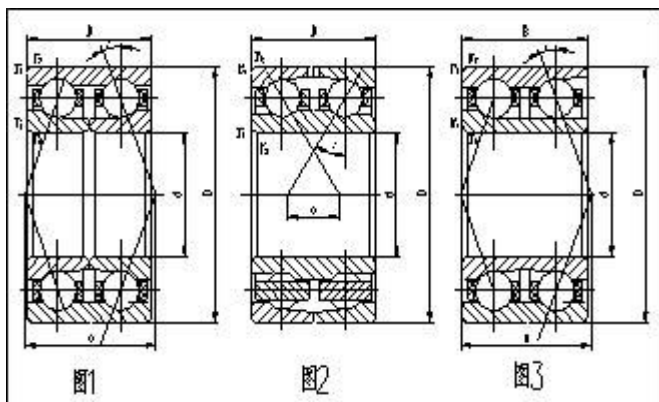


角接触球轴承-双列

Angular contact bearings-double row



| 基本尺寸Boundary Dimensions | | | | 基本额定负荷Basic Load Ratings Dynamic Static | | 极限转速Limiting Speeds | | 轴承代号 Bearing Designations | 作用点a Action spot | 安装相关尺寸Mounting Dimensions | | | 重量weight |
|-------------------------|-----|------|-----|--------------------------------------------|-----|---------------------------|---------------------|------------------------------|---------------------|---------------------------|---------|---------|----------|
| d | D | B | r12 | Cr | Cor | 脂润滑 Grease lubrication | 油润滑 Oil lubrication | | | da(min) | Da(max) | ra(max) | |
| 100 | 180 | 60.3 | 2.1 | 198 | 215 | 2000 | 2700 | 3220YM | 129.5 | 112 | 168 | 2 | 6.46 |
| 110 | 240 | 92.1 | 3 | 358 | 429 | 1800 | 2400 | 3322M | 151 | 124 | 226 | 2.5 | 19.9 |
| 120 | 190 | 66 | 2 | 179 | 237 | 2500 | 3600 | 4024X3DM/W34 | 130.1 | 133 | 175.8 | 2 | 6.78 |
| 130 | 200 | 75 | 2 | 150 | 200 | 2200 | 3200 | 4026X2DM | 202.5 | 140 | 190 | 2 | 8.29 |
| 150 | 215 | 50 | 2 | 126 | 188 | 1600 | 2200 | 4932X3DM | 185 | 171 | 207 | 2 | 5.15 |

| | | | | | | | | | | | | | |
|-----|-------|-----|-----|-----|-----|------|------|----------------------|-------|-----|-----|---|------|
| 150 | 225 | 73 | 2 | 199 | 275 | 2200 | 3200 | 4030X2DYM/Y A6W34 | 193.8 | 164 | 212 | 2 | 6.78 |
| 150 | 230 | 70 | 2.1 | 185 | 250 | 2200 | 3200 | 4030X3DM | 200.1 | 162 | 218 | 2 | 10.7 |
| 150 | 230 | 70 | 2.1 | 185 | 250 | 2600 | 2200 | 4030X3DM/W3 3 | 194 | 161 | 219 | 2 | 10.6 |
| 160 | 240 | 76 | 2.1 | 225 | 315 | 1900 | 2500 | 4032X2M/DCY A1 | 129.9 | 172 | 228 | 2 | 12.5 |
| 160 | 240 | 80 | 2.1 | 210 | 289 | 1900 | 2500 | 4032DM | 240 | 172 | 228 | 2 | 11.6 |
| 160 | 240 | 80 | 2.1 | 210 | 289 | 1900 | 2500 | 4032DM/C91W 33A | 239.8 | 172 | 228 | 2 | 11.5 |
| 160 | 240 | 80 | 2.1 | 209 | 289 | 1500 | 2000 | 4032DM | 130 | 172 | 228 | 2 | 12 |
| 160 | 240 | 80 | 2.1 | 209 | 289 | 1500 | 2000 | 4032DM/W33 | 130 | 172 | 228 | 2 | 11.6 |
| 160 | 240 | 80 | 2.1 | 209 | 289 | 1500 | 2000 | 4032DM/C9W3 3A | 130 | 172 | 228 | 2 | 11.5 |
| 170 | 260 | 84 | 2.1 | 207 | 385 | 1600 | 2100 | 4034X2BM/YA 1 | 138.5 | 182 | 248 | 2 | 16.1 |
| 170 | 260 | 90 | 2.1 | 250 | 355 | 1600 | 2100 | 4034DM | 260 | 182 | 248 | 2 | 16.1 |
| 170 | 260 | 90 | 2.1 | 250 | 355 | 1400 | 1900 | 4034D/W33 | 111 | 181 | 249 | 2 | 16.1 |
| 170 | 259.5 | 84 | 2.1 | 250 | 355 | 1600 | 2100 | 4034X3DM | 258 | 188 | 241 | 2 | 15.3 |
| 170 | 259.5 | 84 | 2.1 | 250 | 355 | 1600 | 2100 | 4034X3DM/W3 3 | 258 | 188 | 241 | 2 | 15.3 |
| 180 | 259.5 | 66 | 2.1 | 281 | 313 | 1400 | 1800 | 4936X3DM | 253 | 192 | 248 | 2 | 11.1 |
| 180 | 259.5 | 66 | 2.1 | 216 | 312 | 1400 | 1800 | 4936X3DM/W3 3 | 253 | 192 | 248 | 2 | 10 |
| 180 | 259.5 | 66 | 2.1 | 281 | 313 | 1400 | 1800 | 4936X3DM/W3 4 | 253 | 192 | 248 | 2 | 11 |
| 180 | 280 | 92 | 2.1 | 275 | 400 | 1300 | 1800 | 4036DMX2/W3 3 | 147 | 192 | 268 | 2 | 20.9 |
| 180 | 280 | 92 | 2.1 | 275 | 400 | 1300 | 1800 | 4036X2DN1/W 33 | 147 | 192 | 268 | 2 | 20.9 |
| 180 | 280 | 100 | 2.1 | 275 | 400 | 1300 | 1700 | 4036DM/C9W3 3 | 280 | 192 | 268 | 2 | 22.4 |
| 180 | 280 | 100 | 2.1 | 275 | 400 | 1300 | 1700 | 4036DM/W33 | 280 | 192 | 268 | 2 | 22.4 |
| 190 | 269.5 | 66 | 2.1 | 220 | 324 | 1350 | 1700 | 4938X3DM | 262.7 | 202 | 258 | 2 | 11.5 |
| 190 | 269.5 | 66 | 2.1 | 220 | 324 | 1350 | 1700 | 4938X3DM/W3 4 | 262.7 | 202 | 258 | 2 | 11.5 |

| | | | | | | | | | | | | | |
|-----|-------|------|-----|------|------|------|------|----------------|-------|------|-----|-----|-------|
| 190 | 290 | 100 | 2.1 | 308 | 470 | 1200 | 1700 | 4038DM/W34 | 155 | 202 | 278 | 2 | 23 |
| 200 | 310 | 109 | 2.1 | 343 | 538 | 1200 | 1600 | 4040DM/W34 | 309.5 | 212 | 298 | 2 | 28 |
| 200 | 310 | 96 | 3 | 370 | 575 | 1100 | 1600 | 4040X2DCM/YA3 | 166 | 214 | 296 | 2.5 | 26.3 |
| 220 | 309.5 | 76 | 2.1 | 250 | 381 | 1100 | 1500 | 4944X3DM | 303 | 232 | 298 | 2 | 18 |
| 220 | 309.5 | 76 | 2.1 | 250 | 380 | 1000 | 1500 | 4944X3DM/W33 | 204 | 232 | 297 | 2 | 17.9 |
| 220 | 340 | 118 | 3 | 359 | 596 | 1000 | 1400 | 4044DM/W34 | 339 | 234 | 326 | 2.5 | 36.7 |
| 220 | 340 | 118 | 3 | 385 | 645 | 1000 | 1400 | 4044/DCYA1 | 118 | 234 | 326 | 2.5 | 37.5 |
| 230 | 329.5 | 80 | 1.1 | 340 | 570 | 950 | 1400 | 4646DCM/YA3 | 214 | 242 | 317 | 2 | 22.8 |
| 230 | 329.5 | 80 | 1.1 | 340 | 570 | 950 | 1400 | 4646DCM/YA3-1 | 214 | 242 | 317 | 2 | 22.5 |
| 240 | 360 | 118 | 3 | 470 | 650 | 900 | 1250 | 4048DM/W33 | 359 | 254 | 346 | 2.5 | 42.8 |
| 240 | 359.5 | 118 | 3 | 376 | 648 | 900 | 1250 | 4048X1DM/W34 | 359 | 254 | 346 | 2.5 | 44.9 |
| 240 | 359.5 | 118 | 3 | 470 | 650 | 900 | 1250 | 4048X1DM/C9W33 | 359 | 254 | 346 | 2.5 | 42.5 |
| 25 | 52 | 20.6 | 1 | 16.1 | 11.8 | 6500 | 8000 | 3205ATN1 | 31.7 | 31.3 | 46 | 1 | 0.185 |
| 25 | 62 | 25.4 | 1.1 | 26 | 17.9 | 6500 | 8000 | 3305ATN1 | 36.2 | 33 | 54 | 1 | 0.359 |
| 260 | 369.5 | 92 | 4 | 373 | 662 | 800 | 1200 | 4952X3DM/W34 | 361 | 278 | 352 | 3 | 31.3 |
| 260 | 369.5 | 92 | 4 | 373 | 662 | 800 | 1200 | 4952X3DM | 361 | 278 | 352 | 3 | 31.3 |
| 260 | 400 | 130 | 4 | 470 | 855 | 800 | 1100 | 4052X2/DCYA1 | 212 | 278 | 382 | 3 | 60.2 |
| 260 | 400 | 140 | 4 | 450 | 830 | 800 | 1100 | 4052DM | 400 | 278 | 382 | 3 | 60.7 |
| 260 | 400 | 140 | 4 | 450 | 830 | 800 | 1100 | 4052DM/C9W33 | 400 | 278 | 382 | 3 | 60.7 |
| 260 | 400 | 140 | 4 | 450 | 830 | 850 | 1200 | 4052DM/C9 | 212 | 383 | 3 | 3 | 60.7 |
| 280 | 389 | 92 | 4 | 380 | 670 | 750 | 1100 | 4056X3D | 381 | 298 | 372 | 3 | 32.9 |
| 280 | 389.5 | 92 | 4 | 377 | 683 | 750 | 1100 | 4956X3DM/W34-1 | 381 | 298 | 372 | 3 | 34 |
| 280 | 420 | 140 | 4 | 500 | 950 | 750 | 1100 | 4056D/W33 | 258 | 292 | 377 | 2 | 66.3 |
| 30 | 62 | 23.8 | 1 | 28.6 | 20.8 | 7000 | 9500 | 3206ATN1-2RS | 36.5 | 36.5 | 57 | 1 | 0.293 |
| 300 | 419.5 | 112 | 2.1 | 423 | 791 | 700 | 1000 | 4960X3DM | 416 | 342 | 408 | 2 | 43 |

| | | | | | | | | | | | | | |
|-----|-----|-------|-----|------|------|------|------|--------------------|-------|-----|-----|-----|-------|
| 300 | 460 | 160 | 4 | 569 | 1149 | 640 | 960 | 4060DYM | 398.6 | 348 | 442 | 3 | 97.9 |
| 300 | 460 | 160 | 4 | 470 | 1260 | 640 | 960 | 4060D/W34 | 398.6 | 348 | 442 | 3 | 96.4 |
| 320 | 440 | 112 | 2.1 | 460 | 920 | 630 | 850 | 4964X2DM/W3 3 | 374.9 | 332 | 428 | 2 | 53.2 |
| 35 | 72 | 27 | 1.1 | 32.5 | 35 | 6500 | 8000 | 3207M | 46.3 | 39 | 68 | 1 | 0.51 |
| 35 | 80 | 34.9 | 1.5 | 52 | 48 | 5600 | 7500 | 3307M | 49 | 44 | 71 | 1.5 | 0.87 |
| 35 | 72 | 27 | 1.1 | 37.7 | 27.5 | 6000 | 8000 | 3207ATN1 | 42.5 | 43 | 64 | 1 | 0.457 |
| 40 | 80 | 30.2 | 1.1 | 48 | 41 | 5600 | 7500 | 3208M | 47 | 47 | 73 | 1 | 0.68 |
| 40 | 90 | 36.5 | 1.5 | 57.5 | 55 | 5300 | 6700 | 3308M | 52 | 49 | 81 | 1.5 | 1.1 |
| 45 | 85 | 30.2 | 1.1 | 50.7 | 46 | 5000 | 6700 | 3209M | 53.5 | 52 | 78 | 1 | 0.719 |
| 45 | 85 | 30.2 | 1.1 | 50.7 | 46 | 5000 | 6700 | 3209F1/C3 | 53.5 | 52 | 78 | 1 | 0.71 |
| 45 | 100 | 39.7 | 1.5 | 63 | 68 | 4800 | 6300 | 3309M | 58 | 54 | 91 | 1.5 | 1.54 |
| 50 | 110 | 44.4 | 2 | 75 | 83 | 4300 | 5600 | 3310M | 64 | 61 | 99 | 2 | 2.04 |
| 530 | 778 | 224 | 3 | 1150 | 3400 | 400 | 520 | 40/530X3/DC YA1 | 437 | 548 | 760 | 2 | 365 |
| 55 | 100 | 33.3 | 1.5 | 54 | 47 | 4500 | 5800 | 3211ATN1/V1 | 60.2 | 63 | 96 | 1.5 | 0.99 |
| 60 | 110 | 36.5 | 1.5 | 82.6 | 81 | 3800 | 5000 | 3212M | 69.7 | 69 | 101 | 1.5 | 1.47 |
| 65 | 120 | 38.1 | 1.5 | 91 | 96 | 3600 | 4500 | 3213YM | 64.7 | 74 | 111 | 1.5 | 1.84 |
| 65 | 120 | 38.1 | 1.5 | 51 | 60 | 3600 | 4500 | 3213ATN1/V1 | 71.8 | 74 | 111 | 1.5 | 1.7 |
| 65 | 140 | 58.74 | 2.1 | 164 | 150 | 3200 | 4300 | 3313DYM | 79.4 | 77 | 128 | 2 | 4.89 |
| 65 | 140 | 58.7 | 2.1 | 135 | 146 | 3200 | 4300 | 3313M | 86 | 77 | 128 | 2 | 4.34 |
| 70 | 150 | 63.5 | 2.1 | 180 | 168 | 3200 | 4300 | 3314 | 97.4 | 87 | 137 | 2 | 5.26 |
| 75 | 130 | 41.3 | 1.5 | 111 | 119 | 3200 | 4300 | 3215DYM | 70.6 | 84 | 121 | 1.5 | 2.81 |
| 75 | 130 | 41.3 | 1.5 | 107 | 115 | 3200 | 4300 | 3215 | 73 | 84 | 121 | 1.5 | 2.09 |
| 75 | 160 | 68.3 | 2.1 | 208 | 197 | 3000 | 4100 | 3315DYM | 91.5 | 87 | 148 | 2 | 6.82 |
| 75 | 160 | 68.3 | 2.1 | 203 | 191 | 3000 | 4100 | 3315 | 103.8 | 87 | 148 | 2 | 6.27 |
| 80 | 170 | 68.3 | 2.1 | 221 | 216 | 2800 | 3600 | 3316M | 105.6 | 92 | 158 | 2 | 7.21 |
| 80 | 170 | 68.3 | 2.1 | 130 | 215 | 2400 | 3400 | 3316M | 101 | 92 | 158 | 2 | 7.21 |
| 85 | 140 | 48 | 2 | 114 | 101 | 2200 | 3200 | 3217X3DATN1 /C3 | 25.9 | 43 | 64 | 2 | 2.39 |