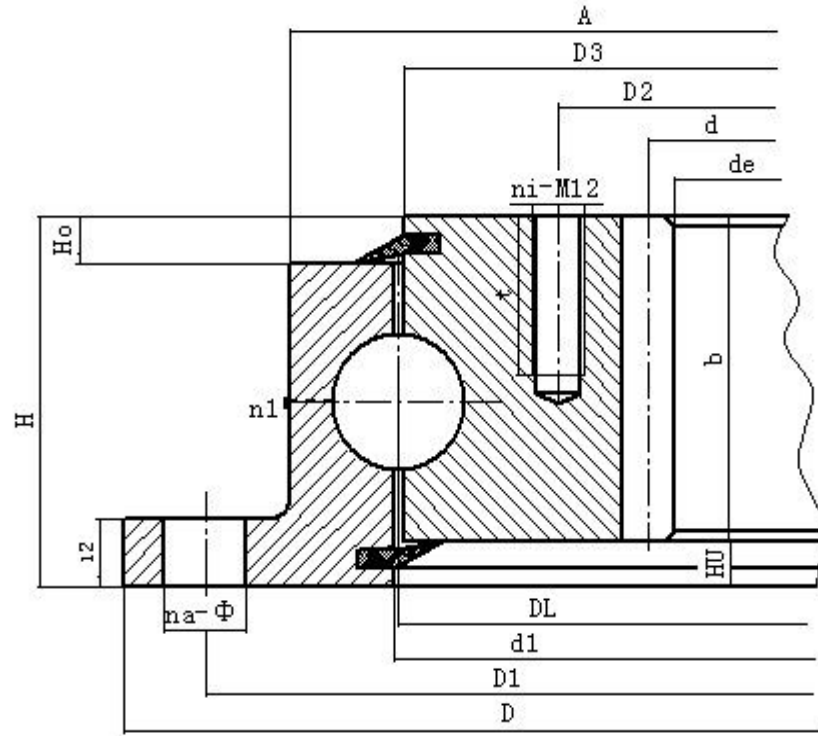


轻型系列回转支承(F口)内齿式

Light Type Slewing Bearing (Flange Form F) --Internal gear type



HF-232

型号 Model	重量 [kg] Weight	外形尺寸 Boundary dimension			安装尺寸Mounting Dimensions								结构尺寸Structure dimension				齿轮参数Gear parameter					允许圆周力 Allowable circumferential force	最大允许圆周力 The Max Allowable circumferential force	轴承间隙 Bearing clearance		
		D	De	H	D1	D2	na	Φ/M		ni	Φ/M	t	n1	D3	d1	A	Hu	D	M	Z	B	k. m	[KN]	[KN]	轴向 axial direction	径向 radial direction
		[mm]	[mm]	[mm]	[mm]	[mm]		[mm]	[mm]					[mm]	[mm]	[mm]	[mm]	[mm]	[mm]	[mm]	[mm]	[mm]	[mm]	[mm]		
HF-232.20.0414	26.9	518	326.5	56	490	375	16	18	12	M12	20	4	412.5	415.5	453	10.5	335	5	67	45.5	-0.75	13.54	27.08	≤0.5	≤0.5	
HF-232.20.0544	36.7	648	445.5	56	620	505	20	18	16	M12	20	4	542.5	545.5	583	10.5	456	6	76	45.5	-0.6	16	32	≤0.5	≤0.5	
HF-232.20.0644	43.4	748	547.5	56	720	605	24	18	18	M12	20	4	642.5	645.5	683	10.5	558	6	93	45.5	-0.6	15.62	31.24	≤0.5	≤0.5	
HF-232.20.0744	50.8	848	649.2	56	820	705	24	18	20	M12	20	4	742.5	745.5	783	10.5	660	6	110	45.5	-0.6	15.32	30.64	≤0.5	≤0.5	
HF-232.20.0844	61.3	948	737.6	56	920	805	28	18	20	M12	20	4	842.5	845.5	883	10.5	752	8	94	45.5	-0.8	20.8	41.6	≤0.5	≤0.5	
HF-232.20.0944	65.4	1048	841.6	56	1020	905	32	18	22	M12	20	4	942.5	945.5	983	10.5	856	8	107	45.5	-0.8	20.49	40.98	≤0.5	≤0.5	
HF-232.20.1094	80.3	1198	985.6	56	1170	1055	32	18	24	M12	20	4	1093	1095.5	1133	10.5	1000	8	125	45.5	-0.8	20.16	40.32	≤0.5	≤0.5	