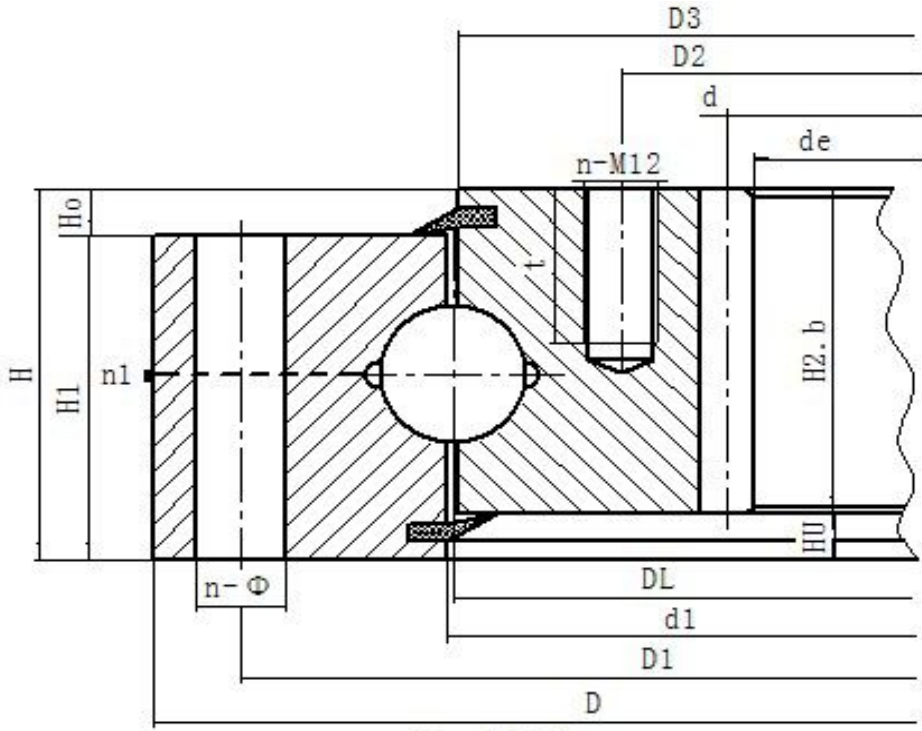


轻型系列回转支承(薄型)--内齿式
Light Type Slewing Bearing (Slim type) --Internal gear type



H-062

型号Model DL	重量kg weight	外形尺寸 Boundary dimension			安装尺寸Mounting Dimensions							结构尺寸Structure dimension						齿轮参数gear parameter					齿轮圆周力 Gear circumferential force		轴承间隙 Bearing clearance	
		D [mm]	De [mm]	H [mm]	D1 [mm]	D2 [mm]	n	Φ [mm]	M	t	D3 [mm]	d1 [mm]	H1 [mm]	H2 [mm]	Hu [mm]	Ho [mm]	D [mm]	M [mm]	Z [mm]	k. m [mm]	B [mm]	允许圆周力 Allowable circumferential force	最大允许圆周力 The Max Allowable circumferential force	轴向 axial direction	径向 radial direction	
		[mm]	[mm]	[mm]	[mm]	[mm]	[mm]	[mm]	[mm]	[mm]	[mm]	[mm]	[mm]	[mm]	[mm]	[mm]	[mm]	[mm]	[mm]	[mm]	[mm]	[KN]	[KN]			
H-062.20.0414	31	486	326.5	56	460	375	24	13.5	12	20	415.5	412.5	45.5	45.5	10.5	10.5	335	5	67	-0.75	45.5	13.54	27.08	≤0.28	≤0.24	
H-062.20.0544	42	616	445.2	56	590	505	32	13.5	12	20	545.5	542.5	45.5	45.5	10.5	10.5	456	6	76	-0.6	45.5	16	32	≤0.30	≤0.26	
H-062.20.0644	50	716	547.2	56	690	605	36	13.5	12	20	645.5	642.5	45.5	45.5	10.5	10.5	558	6	93	-0.6	45.5	15.62	31.24	≤0.30	≤0.26	
H-062.20.0744	58	816	649.2	56	790	705	40	13.5	12	20	745.5	742.5	45.5	45.5	10.5	10.5	660	6	110	-0.6	45.5	15.32	30.64	≤0.30	≤0.26	
H-062.20.0844	69	916	737.6	56	890	805	40	13.5	12	20	845.5	842.5	45.5	45.5	10.5	10.5	752	8	94	-0.8	45.5	20.8	41.6	≤0.30	≤0.26	
H-062.20.0944	76	1016	841.6	56	990	905	44	13.5	12	20	945.5	942.5	45.5	45.5	10.5	10.5	856	8	107	-0.8	45.5	20.49	40.98	≤0.30	≤0.26	
H-062.20.1094	91	1166	985.6	56	1140	1055	48	13.5	12	20	1095.5	1092.5	45.5	45.5	10.5	10.5	1000	8	125	-0.8	45.5	20.16	40.32	≤0.30	≤0.26	