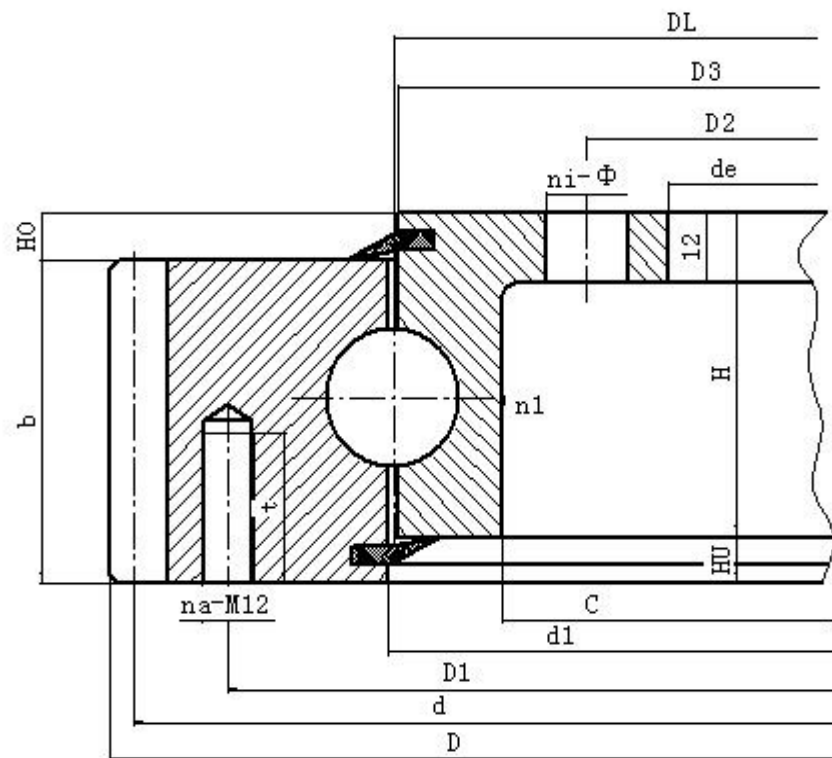


# 轻型系列回转支承(F口)--外齿式



HF-231

| 型号             | 重量   | 外形尺寸   |            |           |            | 安装尺寸       |    |             |    |             |           | 结构尺寸 |            |            |           | 齿轮参数       |           |           |           | 允许        | 最大允许         | 轴承间隙  |       |      |      |
|----------------|------|--------|------------|-----------|------------|------------|----|-------------|----|-------------|-----------|------|------------|------------|-----------|------------|-----------|-----------|-----------|-----------|--------------|-------|-------|------|------|
|                | [kg] |        |            |           |            |            |    |             |    |             |           |      |            |            |           |            |           |           |           | 圆周力       | 圆周力          |       |       |      |      |
|                |      | D[mm]  | De<br>[mm] | H<br>[mm] | D1<br>[mm] | D2<br>[mm] | na | Φ/M<br>[mm] | ni | Φ/M<br>[mm] | t<br>[mm] | n1   | D3<br>[mm] | d1<br>[mm] | C<br>[mm] | Hu<br>[mm] | D<br>[mm] | m<br>[mm] | Z<br>[mm] | B<br>[mm] | k. m<br>[mm] | [KN]  | [KN]  | 轴向   | 径向   |
|                |      |        |            |           |            |            |    |             |    |             |           |      |            |            |           |            |           |           |           |           |              |       |       |      |      |
| HF-231.20.0414 | 29   | 504    | 304        | 56        | 455        | 332        | 10 | M12         | 24 | 18          | 20        | 4    | 412.5      | 415.5      | 375       | 10.5       | 495       | 5         | 99        | 45.5      | -0.5         | 11.75 | 23.5  | ≤0.5 | ≤0.5 |
| HF-231.20.0544 | 39.2 | 640.8  | 434        | 56        | 585        | 462        | 14 | M12         | 28 | 18          | 20        | 4    | 542.5      | 545.5      | 505       | 10.5       | 630       | 6         | 105       | 45.5      | -0.5         | 14.2  | 28.4  | ≤0.5 | ≤0.5 |
| HF-231.20.0644 | 47.2 | 742.8  | 534        | 56        | 685        | 562        | 16 | M12         | 32 | 18          | 20        | 4    | 642.5      | 645.5      | 605       | 10.5       | 732       | 6         | 122       | 45.5      | -0.6         | 14.2  | 28.4  | ≤0.5 | ≤0.5 |
| HF-231.20.0744 | 53.1 | 838.8  | 634        | 56        | 785        | 662        | 18 | M12         | 32 | 18          | 20        | 4    | 742.5      | 745.5      | 705       | 10.5       | 828       | 6         | 138       | 45.5      | -0.6         | 14.2  | 28.4  | ≤0.5 | ≤0.5 |
| HF-231.20.0844 | 64.7 | 950.4  | 734        | 56        | 885        | 762        | 18 | M12         | 36 | 18          | 20        | 4    | 842.5      | 845.5      | 805       | 10.5       | 936       | 8         | 117       | 45.5      | -0.8         | 18.93 | 37.86 | ≤0.5 | ≤0.5 |
| HF-231.20.0944 | 69.1 | 1046.4 | 834        | 56        | 985        | 862        | 20 | M12         | 40 | 18          | 20        | 4    | 942.5      | 945.5      | 905       | 10.5       | 1032      | 8         | 129       | 45.5      | -0.8         | 18.93 | 37.86 | ≤0.5 | ≤0.5 |
| HF-231.20.1094 | 82.5 | 1198.4 | 984        | 56        | 1135       | 1012       | 22 | M12         | 40 | 18          | 20        | 4    | 1092.5     | 1095.5     | 1055      | 10.5       | 1184      | 8         | 148       | 45.5      | -0.8         | 18.93 | 37.86 | ≤0.5 | ≤0.5 |