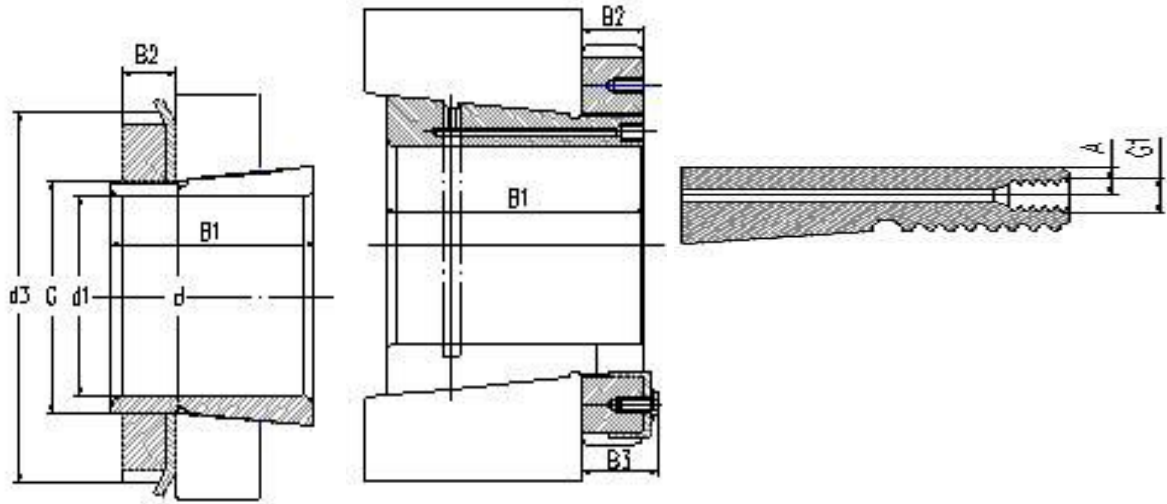


调心滚子轴承-紧定套



基本尺寸									型号带锁紧螺母和锁定装置的紧定套	锁紧螺母	锁定装置	适用的液压螺母	重量	
90	100	130	97	20			M100×2		H2320	KM20	MB20	HMV20E	2.76	
100	110	145	81	21			M110×2		H3122	KM22	MB22	HMV22E	2.33	
100	110	145	105	21			M110×2		H2322	KM22	MB22	HMV22E	2.84	
110	120	145	72	22			M120×2		H3024	KML24	MBL24	HMV24E	1.95	
110	120	155	88	22			M120×2		H3124	KM24	MB24	HMV24E	2.39	
115	130	165	121	23			M130×2		H2326	KM26	MB26	HMV26E	4.72	
140	160	190	93	28			M160×3		H3032	KML32	MBL32	HMV32E	6.64	
140	160	210	119	28			M160×3		H3132	KM32	MB32	HMV32E	7.47	
140	160	210	147	28			M160×3		H2332	KM32	MB32	HMV32E	9.2	
150	170	200	101	29			M170×3		H3034	KML34	MBL34	HMV34E	6.31	
150	170	220	122	29			M170×3		H3134	KM34	MB34	HMV34E	8	
160	180	210	109	30			M180×3		H3036	KML36	MBL36	HMV36E	6.73	
160	180	230	131	30			M180×3		H3136	KM36	MB36	HMV36E	9.39	
170	190	220	112	31			M190×3		H3038	KML38	MBL38	HMV38E	7.62	
180	200	240	120	32			M200×3		H3040	KML40	MBL40	HMV40E	9.71	
180	200	250	150	32			M200×3		H3140	KM40	MB40	HMV40E	12	
200	220	260	126	30	41		Tr220×4	M6	4.2	H3044	HML44	MSL44	HMV44E	11.2
200	220	280	161	35			Tr220×4			H3144	HM44	MS44	HMV44E	15.3
200	220	280	161	35			Tr220×4	M6	4.2	OH3144XH	HM44	MB44	HMV44E	14.9
200	220	280	186	35			Tr220×4			H2344	HM44	MB44	HMV44E	16.8
220	240	300	172	37			Tr240×4			H3148	HM48	MB48	HMV48E	18.4
220	240	300	172	37			Tr240×4	M6	4.2	OH3148H	HM48	MB48	HMV48E	16
240	260	310	116	34	46		Tr260×4	M6	4.2	OH3952H	HML52	MSL48	HMV52E	14.8
240	260	310	145	34	46		Tr260×4	M6	4.2	H3052	HML52	MSL48	HMV52E	16
240	260	330	190	39			Tr260×4			H3152	HM52	MB52	HMV52E	22.8
240	260	330	190	39			Tr260×4	M6	4	OH3152H	HM52	MB52	HMV52E	23.3

260	280	330	152	38	50	Tr280×4	M6	4.2	H3056	HML56	MSL56	HMV56E	18.4
260	280	350	195	38	51	Tr280×4	M6	4.2	H3156	KM56	MS52	HMV56E	25.2
260	280	350	195	38	41	Tr280×4	M6	4.2	OH3156H	HM56X2	MB56	HMV56E	25.9
260	280	350	224	41		Tr280×4			H2356	HM56	MB56	HMV56E	29.6
280	300	360	168	42	54	Tr300×4	M6	4.2	H3060	HML60	MSL60	HMV60E	24
280	300	380	208	40	53	Tr300×4	M6	4.2	OH3160H	HM60	MS60	HMV60E	31.4
300	320	380	140	42	55	Tr320×5	M6	4	OH3964H	HML64	MSL64	HMV64E	21.4
300	320	400	226	42	56	Tr320×5	M6	4	OH3164H	HM64	MS64	HMV64E	32.5
300	320	400	258	42	56	Tr320×5	M6	4	H3264	HM64	MS64	HMV64E	40.8
320	340	440	254	55	72	Tr340×5	M6	4	OH3168H	HM68	MS68	HMV68E	52.4
340	360	420	188	45	58	Tr360×5	M6	4	OH3072H	HML72	MSL72	HMV72E	20.6
340	360	460	259	58	75	Tr360×5	M6	4	OH3172H	HM72	MS68	HMV72E	57.3
360	380	450	193	48	62	Tr380×5	M6	4	H3076	HML76	MSL76	HMV76E	43.5
360	380	490	264	60	77	Tr380×5	M6	4	H3176	HM76	MS76	HMV76E	62.9
380	400	470	210	52	66	Tr400×5	M6	4	H3080	HML80	MSL76	HMV80E	43.5
380	400	520	272	62	82	Tr400×5	M6	4	OH3180H	HM80	MS80	HMV80E	65
60	65	85	65	14		M65×2			H2313	KM13	MB13	HMV13E	0.582
70	80	105	46	17		M80×2			H216	KM16	MB16	HMV16E	0.966
70	80	105	46	17		M80×2			H316	KM16	MB16	HMV16E	1.04
75	85	110	63	18		M85×2			H317	KM17	MB17	HMV17E	1.17
80	90	120	65	18		M90×2			H318	KM18	MB18	HMV18E	1.1